

## Ryan Model 1193 Utility Slicer



**RYAN**  
TECHNOLOGY, INC.

1-800-277-2290 • 503-640-9200 • 503-640-3846 (Fax) • [www.ryanslicer.com](http://www.ryanslicer.com)

2705 SE 39<sup>th</sup> Loop Suite B • Hillsboro, OR 97123

## Ryan Model 1193 Utility Slicer

High-speed versatile horizontal slicer for French rolls, bagels, English muffins, buns, croissants, etc.  
Specifically designed for long products.

Capacity: Depends on product and in-feed method.  
Will handle product up to 5 1/2" in width, 3" tall.

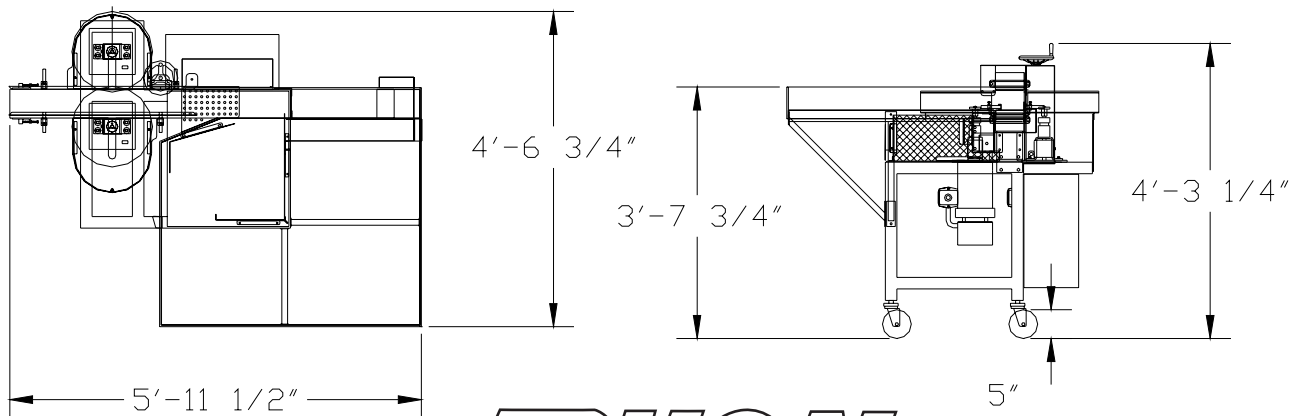
Single-blade (1193A) or Dual-blade (1193B) Configuration

### Standard Features:

- Stainless steel feed table
- 5" wide conveyor
- USDA approved powder-coated tubular steel frame
- Plated steel blade housings, conveyors, and guards
- 1 HP motors on blades with brakes to stop blades within one revolution upon shut-down
- Coded magnetic safety switches on lexan blade covers that allow operation only when covers are in place
- 12" circular saw blades
- Adjustable for cut height, depth, and product width
- Factory adjustable conveyor speed (non-vary-drive machines)
- 3-Phase power (208 or 240 volt) 20 amp
- 5" casters

### Options:

- Teflon-coating on blades
- Conveyor variable speed drive
- Product counter
- Wider conveyor for larger or clustered product
- Air-operated product diverter on end of conveyor
- Right-hand or left-hand configuration (right-hand shown)



**RYAN**  
TECHNOLOGY, INC.