

Ryan Model 1097 Rotary Table Utility Slicer

High-speed versatile horizontal slicer for French rolls, bagels, English muffins, buns, croissants, etc.

Capacity: Up to 8000 units per hour depending on product and in-feed method.
Will handle product up to 8" in width, 3" tall, and 24" long.

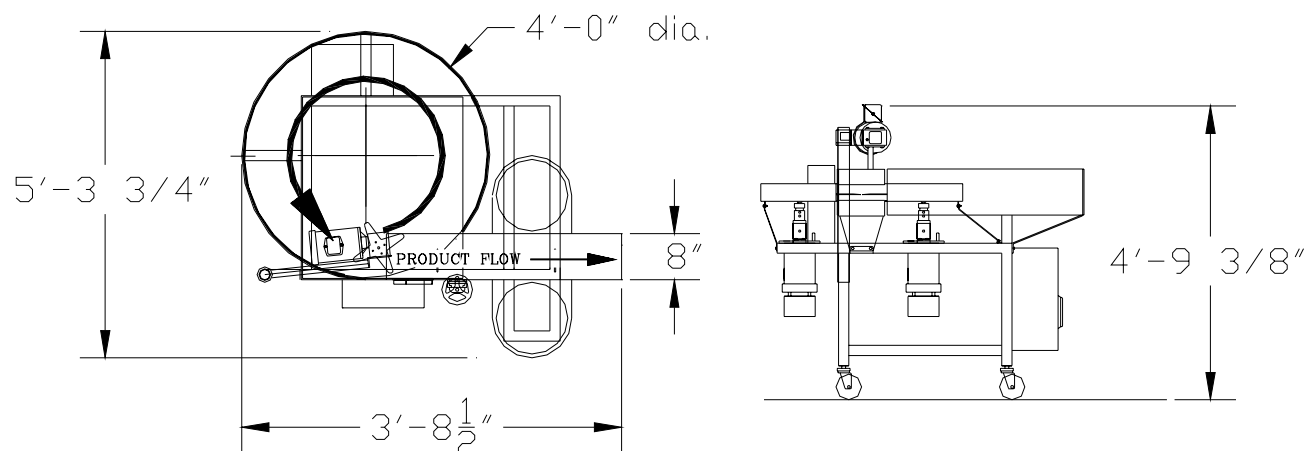
Single-blade (1097A) or Dual-blade (1097B) Configuration

Standard Features:

- 4 foot diameter rotary table
- 8" wide conveyor
- USDA approved powder-coated tubular steel frame
- Plated steel blade housings, conveyors, and guards
- 1 HP motors on blades with brakes to stop blades within one revolution upon shut-down
- Coded magnetic safety switches on lexan blade covers that allow operation only when covers are in place
- 14" Teflon-coated circular saw blades
- Adjustable for cut height, depth, and product width
- Factory adjustable conveyor speed (non-vary-drive machines)
- 3-Phase power (208 or 240 volt) 20 amp
- 5" casters

Options:

- Turn table/conveyor variable speed drive
- Product counter
- Air-operated product diverter on end of conveyor
- In-table in-feed product guide (for sub-roll-type products)
- Right-hand or left-hand configuration (left-hand shown)



RYAN
TECHNOLOGY, INC.